

5.0mm Square Tact Switch (Vertical, SMT Type)



TSE-07S-XXX

TS - Tact Switch
 E - E Series
 07 - Type
 S - SMT Type
 XXX - Action Force (gram)
 H = 1.5 or H = 1.6 - High (Optional)
 5.0mm Vertical, SMT (2)

SPECIFICATIONS

Mechanical Life: 500,000 cycles for 100g±50g
 100,000 cycles for 160g±50g
 50,000 cycles for 250g±50g

Operating Force: 100g±50g, 160g±50g, 250g±50g

Rating: 50mA 12V DC

Dielectric withstanding: 250V AC/minute

Insulator resistance: ≥ 100 MΩ at 100V

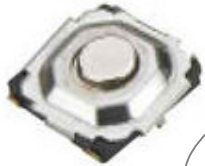
Contact resistance: ≤ 100 mΩ/Contact

Operating temperature: -20°C ~ +70°C

Storage temperature: -40°C ~ +85°C

Material

Base: LCP, UL94V-0
 Contact material: Phosphor Bronze
 Contact Spring Plating: Stainless Steel/Silver Plating

Physical Picture	Outline Drawing	Circuit
 <p>TSE-07S-XXX (H=1.5)</p>	